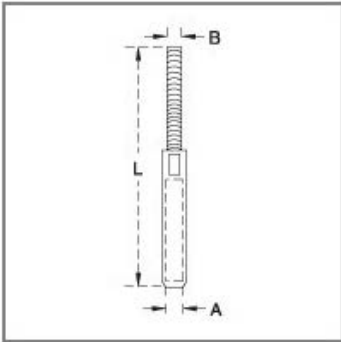


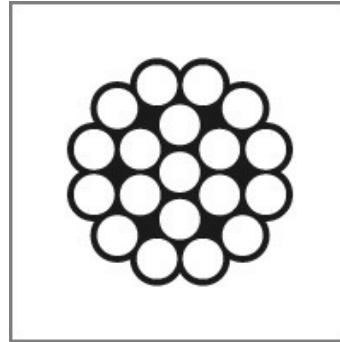
ARCTIC WIRE ROPE and SUPPLY inc.

6407 Arctic Spur Road
ANCHORAGE, ALASKA 99518
(907) 562-0707

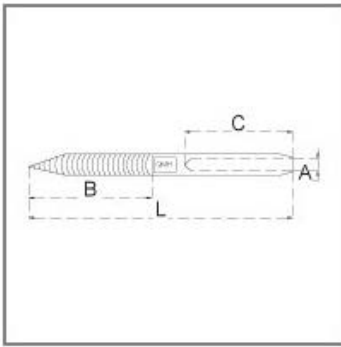
CABLE RAILING SYSTEMS



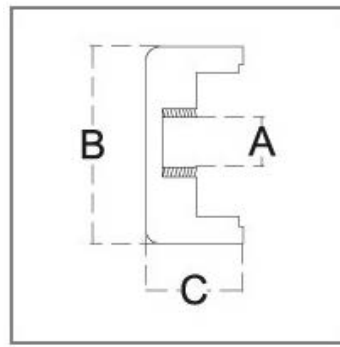
1/8" THREADED STUD
A: 1/8"
L: 3-3/4"
B: 1/4"-20
1/4" DRILLED HOLE
(PN#1000-3050)



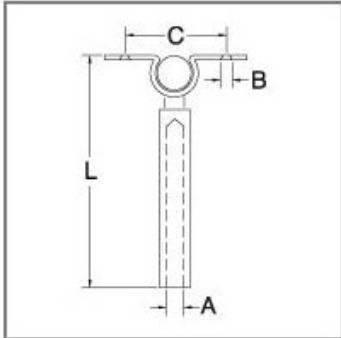
1/8" X 500' 1x19 T316
SS CABLE
(PN#200-97)



1/8" LAG STUD
A: 1/8"
L: 3.95"
B: 2"
C: 1.35"
(PN#1000-3055)



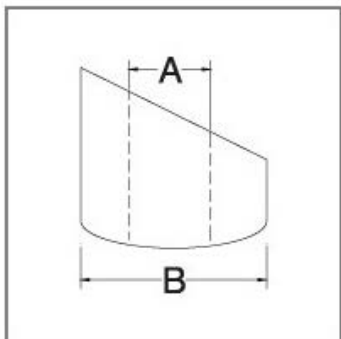
1/4" END CAP
A: 1/4"-20
C: 3/8"
B: 5/8"
(PN#1000-3030)



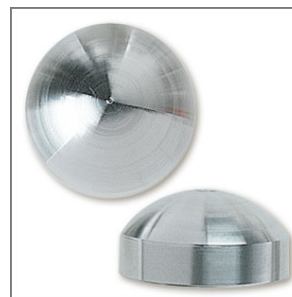
1/8" DECK TOGGLE
A: 1/8"
L: 3"
C: 1.30"
B: 0.25"
(PN#1000-3060)



1/8"-3/16" CRIMP TOOL
USED FOR DECK
RAILING FITTINGS
(PN#1000-1200)
DAY RENTAL RATE
(PN#9800-430)
WEEKLY RENTAL RATE
(PN#9800-440)

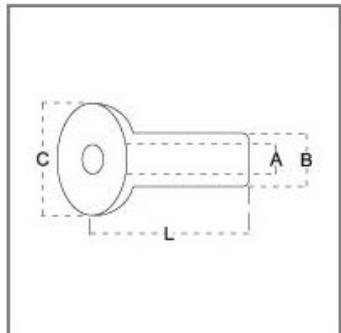


1/4" ANGLE WASHER
A: 1/4"
B: 5/8"
(PN#1000-3025)

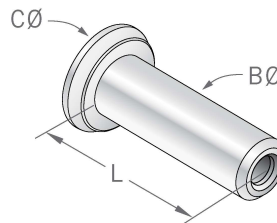


QUICK-CONNECT® CAP
OD: 3/4"
Tall: 3/8"

(PN#1000-3035)



1/8" PROTECTIVE SLEEVE
A: 0.21"
L: 0.78"
B: 0.275"
C: 0.50"
(PN#1000-3020)



1/8" QUICK-CONNECT®
CØ: 5/8"
BØ: 3/8"
L: 1-1/8"
(PN#1000-3000)